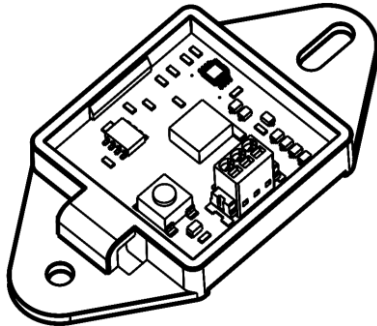


The Omachron Flood Sensor is a low cost, all electronic water detector. The sensor provides an output signal until gold contacts are bridged by water. In this way, a fault with the sensor will also provide an alarm indication. A push to test button is provided. Once triggered, the power to the sensor must be cycled to reset operation. The sensor is sealed and protected from water.



Not suitable for use with corrosive liquids.

Features

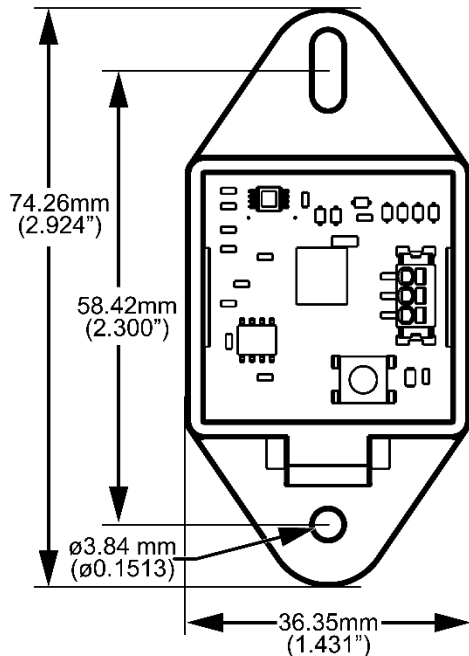


- 24VAC operation for compatibility with HVAC and Fan Coil System
- All electronic operation and detection
- NC (Normally Closed) connection during normal operation for flood and fault detection
- Simple three wire connection (RH - 24VAC, RC - Common and SIG - Signal)
- Self-test button
- Status LED
- Two mounting holes for attachment

Specifications

Operating temperature	-5°C to 40°C (non-condensing)
Storage temperature	-10°C to 60°C
Supply power required	18 to 30VAC 50 to 60Hz 24VAC 60Hz nominal, <8mA typical
Output power	24VAC 60Hz nominal, 100mA maximum
Electrical Protection	Self-resetting polyfuse

Mechanical



Submersion Depth	0.050" or 1.27mm
Dimensions (L x W x H)	2.9" x 1.4 x 2.3" x 0.3" 74.2mm x 36.2mm x 8.1mm
Connection Wire	16-24 AWG 80" or 2m flying leads supplied
Weight	15g not including leads

